








CoeLux 45HC

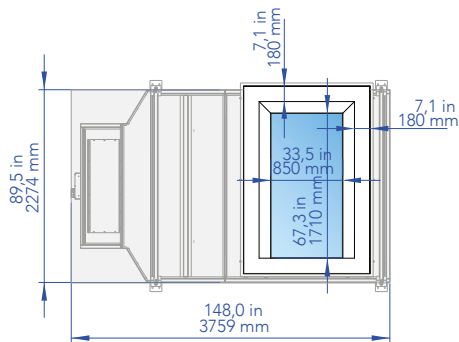
TECHNICAL INFORMATION:

SKYLIGHT SIZE Dimensione dello skylight	1710 x 850 mm 67.3 x 33.5"
WEIGHT* Peso	300 kg 660 lb
NECESSARY SPACE FOR INSTALLATION* Dimensioni minime necessarie	3759 x 2491 x 1210 mm 148 x 98.1 x 47.6"

*dimensions may differ slightly depending on the versions

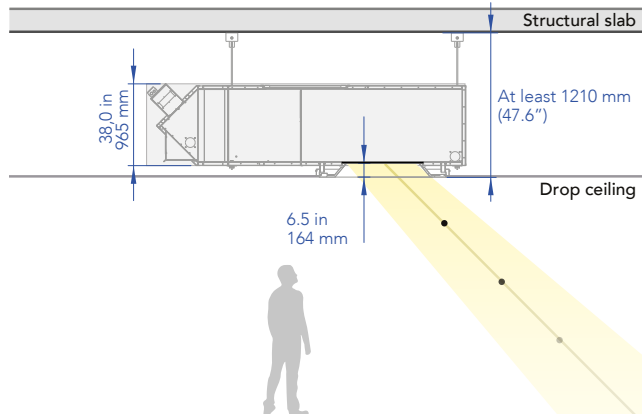
*le dimensioni possono differire leggermente a seconda delle varianti

VERSIONS AVAILABLE Varianti disponibili	  45° Sun	  55-100% 45° Sun Plus	   55-100% 45° Sun Plus & Moon
POWER INPUT Power input	100-240 V~ 50/60 Hz	100-240 V~ 50/60 Hz	100-240 V~ 50/60 Hz
POWER CONSUMPTION Consumo energetico	300 W (Max) - 270 W (Typical)	300 W (Max) - 270 W (Typical)	300 W (Max) - 270 W (Typical)
TOTAL LIGHT OUTPUT Emissione luminosa	4100 lm	4700 lm	4700 lm - ~10 lm in a Moon state
FRAME Cornice	Recessed flushed	Recessed flushed	Recessed flushed
ORDER CODE CERTIFICATION Codice di ordinazione Certificazione	45HC_WD_CE CE, CB 45HC_WD_UL UL, FCC	45HC_WD_S_CE CE, CB, PSE 45HC_WD_S_UL UL, FCC	45HC_WD_S_M_CE CE, CB, PSE 45HC_WD_S_M_UL UL, FCC
FRAME Cornice	Ceiling mounted	Ceiling mounted	Ceiling mounted
ORDER CODE CERTIFICATION Codice di ordinazione Certificazione	45HC_PU_CE CE, CB 45HC_PU_UL UL, FCC	45HC_PU_S_CE CE, CB, PSE 45HC_PU_S_UL UL, FCC	45HC_PU_S_M_CE CE, CB, PSE 45HC_PU_S_M_UL UL, FCC



Inspection hatch: required close to the projector.

Botola di ispezione: necessaria vicino al proiettore.



Typical horizontal illuminance

* Distance from CoeLux system (Sky)

Sun

- At 1 m (3.28")* 2000 Lux
- At 2 m (6.56")* 1300 Lux
- At 3 m (9.84")* 900 Lux

Sun Plus

- At 1 m (3.28")* 2300 Lux
- At 2 m (6.56")* 1500 Lux
- At 3 m (9.84")* 1000 Lux

FRAME TYPES:

Ceiling mounted
Cornice in rilievo

Recessed flushed
Cornice filo muro

